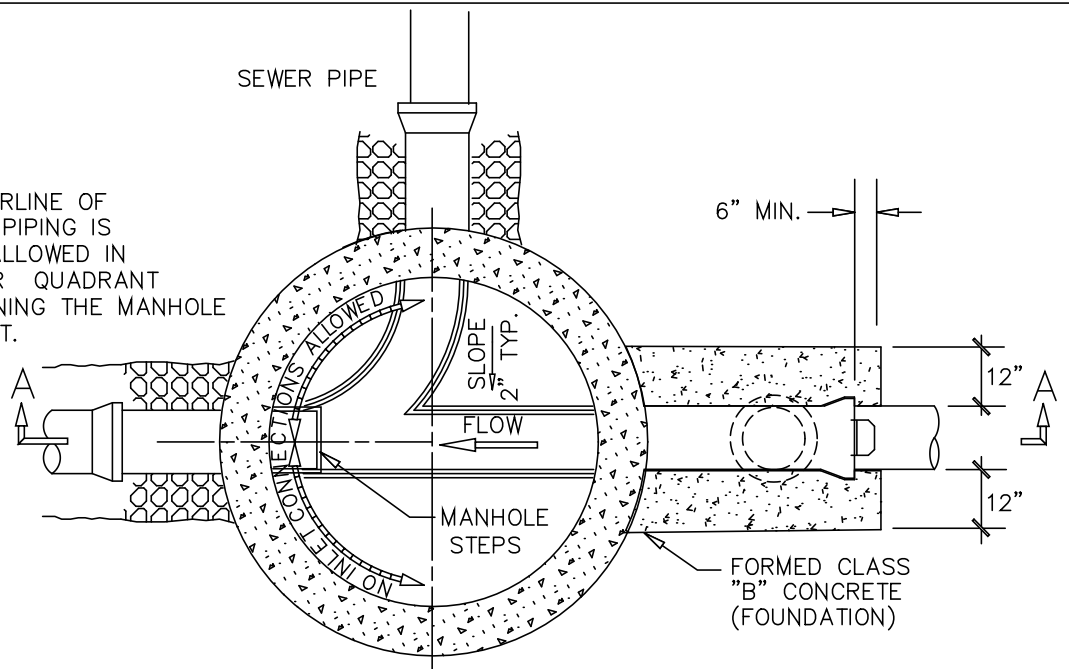
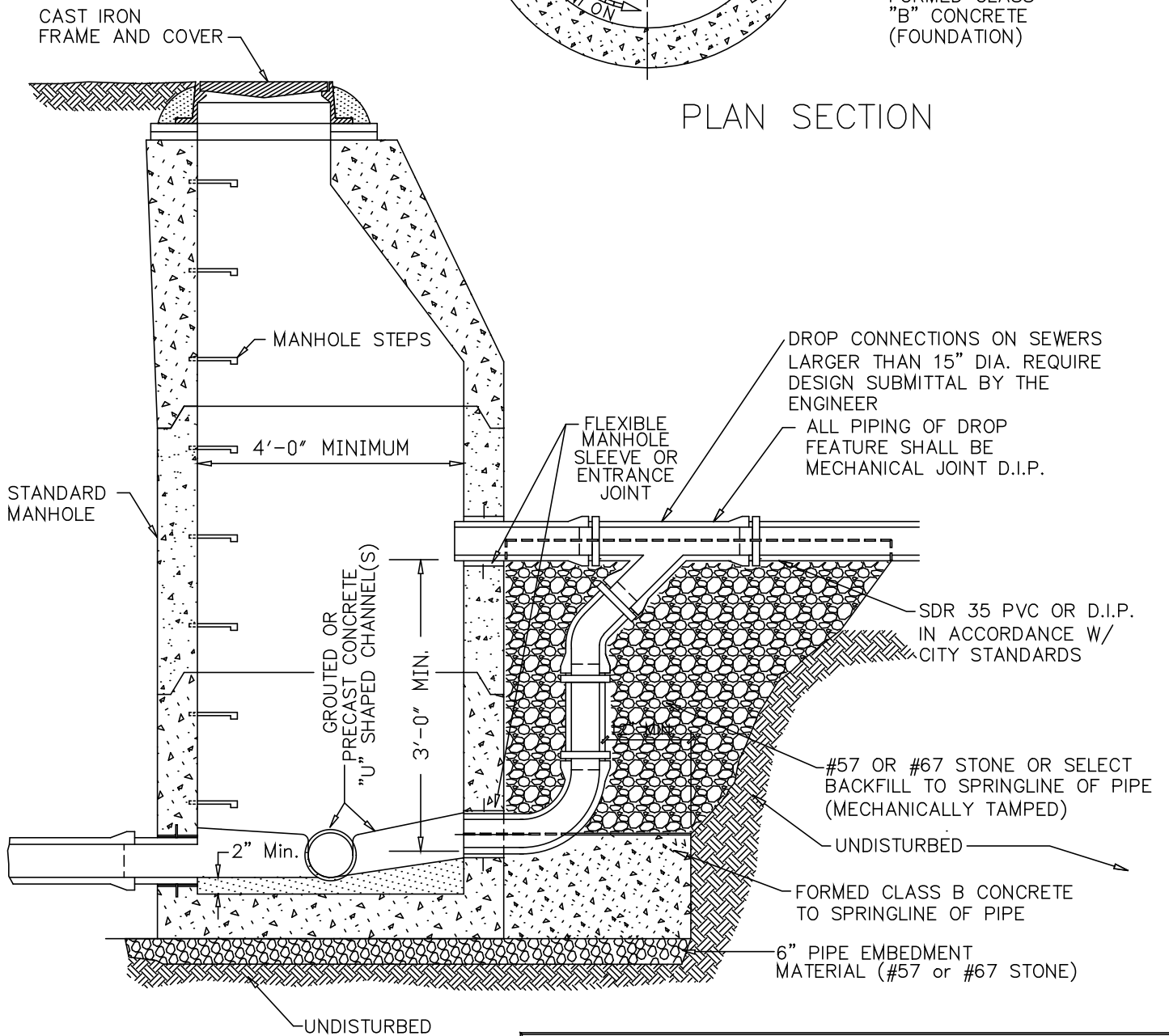


CENTERLINE OF INLET PIPING IS NOT ALLOWED IN EITHER QUADRANT ADJOINING THE MANHOLE OUTLET.



PLAN SECTION



SECTION A-A

NOTE: MANHOLE STEPS TO BE VERTICALLY IN LINE WITH "INVERT OUT" FOR PIPE 18" AND LESS. OVER 18" TO BE LOCATED IN LINE WITH BENCH. TYPE III OR IV DROP IS REQUIRED FOR ALL DROPS WHERE THE GRADE OF THE INFLUENT LINE IS GREATER THAN 5.0%

STANDARD DETAIL
CITY OF CAYCE

TYPE IV DROP CONNECTION

APPROVED:

CAYCE-4D